

Spiroflow Systems Offers Tanker & Rail Car Loading Systems

Spiroflow Solution

Aero mechanical and center-less screw conveyors are widely used for filling road tankers and can be mounted on mobile frames for ease of use.

Spiroflow can also offer a bulk bag (FIBC) or rigid bin discharge station as an integral part of the loading system.

High level probe in discharge spout insures automatic conveyor shut-off once the tanker section is filled.



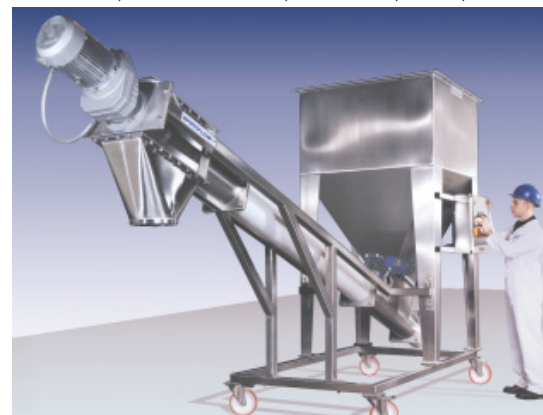
Spiroflow Solution transfers chemicals into tankers in seaport



Product can be fed into an aero mechanical conveyor from a bulk bag (as shown above), silo, blowing line or mechanical shovel



Loading railcars from bulk bags using an aero mechanical conveyor. AMCs can convey at rates of up to 60 tph.



As an alternative method to aero mechanical conveyors, Spiroflow also supplies its 'Megaflow' center-less conveyor, capable of throughputs of up to 30 tons per hour.

**Aero Mechanical Conveyors
convey a wide range of materials
in various bulk densities &
will not de-mix materials**